



**NORDLAND
LIGHTING®**



Management System
ISO 9001:2015
www.tuv.com
ID 9109087029



NGBP LED PRO

ZONE 2, 21, 22

OVERVIEW

The NGBP LED Pro is a Zone 2 fitting for use in Zone 2, 21 & 22 hazardous and or corrosive environments and has been used extensively in the petrochemical, oil and gas and industrial sectors. The product is designed for both indoor and outdoor applications.

With a variety of mounting options and optics the NGBP LED

fitting is suitable for use as a bulkhead, floodlight or as a highbay. This versatile, high lumen output, 80000-hour life luminaire, with optional optic angles and an enhanced reflector, is supplied in a range of wattages from 40W to 150W enabling customers to choose a fitting that most suits

their lighting application.

Manufactured out of die cast LM6 Aluminium and a powder coat finish combined with a tempered glass lens, the NGBP LED is a robust IP66/IK10 luminaire that can withstand the harshest of conditions.

A 6 Watt @ 1 hour emergency option is available on request.

APPLICATIONS



INDOOR
AREAS



OUTDOOR
AREAS



INDUSTRIAL
ENVIRONMENTS



HAZARDOUS
AREAS



MINING AND
SURFACE AREAS



OIL AND GAS

FLOODLIGHT • BULKHEAD • HAZARDOUS

PERFORMANCE

Model Name	NGBP LED PRO				
Wattages	40	55	72	102	150
Nominal Lumens	6800	9350	12240	17340	25500
System Lumens	5600	7700	10080	14280	21000
System efficacy lm/W	140	140	140	140	140
Emergency Operation	6W @ 1hr 800 lm EM version only				

LED AND OPTICS

Optics	120° deg standard, 30, 60, 90 available on request
Expected lifetime	>80000
L70 rating	>80000hrs @ 25°C
Colour Rendering Index RA	>80
Colour Temperature	5000K standard, 3000K 4000K available on request

ELECTRICAL AND OPERATING

Driver	Ex approved Constant Current, Selectable Current
Operating temperature	-20°C to +40°C
Input voltage/Frequency	220V-240VAC \pm 10% 50/60 Hz
Input Current	0,192A @40W; 0,264A @55W; 0,345A @72W; 0,489A @102W; 0,720A @150W
Power Factor	0.96
Surge Protection	4kV L-N to PE, 2kV L to N
Other options	10KV surge protection available on special request Custom wattages available on request

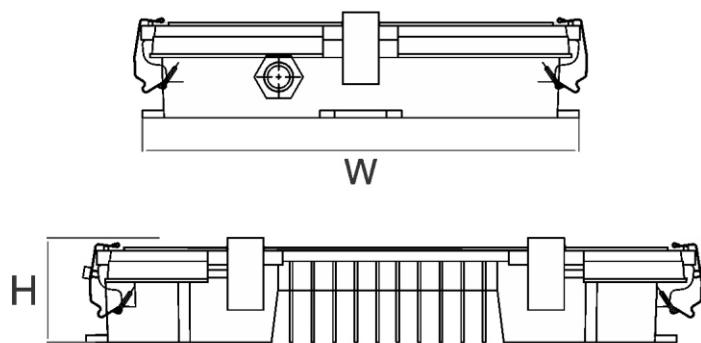
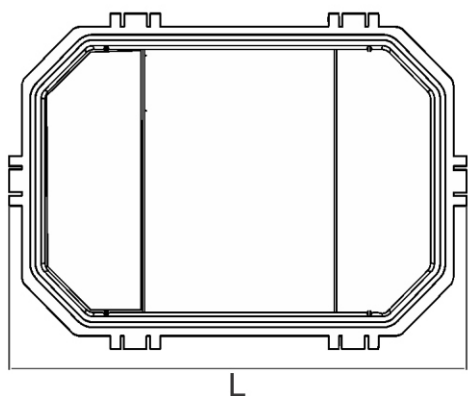
PRODUCT MATERIALS AND INSTALLATION

Housing	High Pressure Die cast LM6 Aluminium, Powder coated
Lens	Tempered Glass
Gasket	Rubber Silicone cemented into groove
Finish	Powder coated, standard dark grey, Other colours available on special request
Ingress Protection	IP66
IK Rating	IK10
Mounting Options	Wall, Pole, Ceiling, Flood Trunnion arm optional
Spigot size	N/A

CERTIFICATIONS. STANDARDS

MASC S/19-2143X (40W to 102W)	MASC S/22-2016X (150W)	Complies to SANS 60598-1
Zone 2 (40W to 102W)	Ex nA mb IIC T4 Gc	Complies to SANS 1464-22 (EM Version)
Zone 21 and 22 (40W to 102W)	Ex tb IIIC T135°C Db	Complies to SANS 60079-0
Zone 2 (150W)	Ex ec mc IIC T3 Gc	
Zone 21 and 22 (150 W)	Ex tb IIIC T178°C Db	

DIMENSIONS



DIMENSIONS AND PACKAGING

Model	NGBP LED PRO	
Wattage	40, 55, 72, 102 150	
Dimensions mm (LxWxH)	420 x 305 x 80mm	
Weight Kg (Unit / packaged)	6kg	6,2kg

ACCESSORIES

Flood Trunnion arm
15 degree Wall mount bracket
Pole mount Bracket
Wire Guard
Double entry on request only

PHOTOMETRIC PERFORMANCE:

As photometric data and IES files differ according to the selected optics and wattages, these are available on request

WARRANTY:

Warranty - 5 year

52 Fransen str, Chamdor
PO Box 2465
Noordheuwel Ext 4
1756
South Africa

T: 010 442 2809
E: sales@nordland.co.za
W: www.nordland-lighting.com

